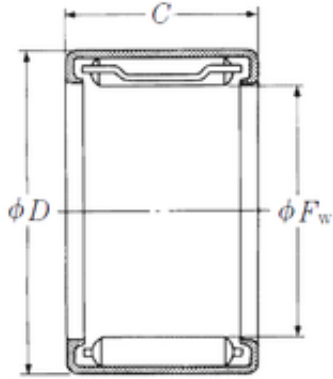


NSK DB508201 needle roller bearings



Bearing No. DB508201

Size	82x88x12 mm
Bore Diameter	82 mm
Outer Diameter	88 mm
Width	12 mm
d	82 mm
D	88 mm
C	12 mm
Weight	0,052 Kg
Basic dynamic load rating (C)	9,4 kN

DB508201 Bearing 2D drawings and 3D CAD models