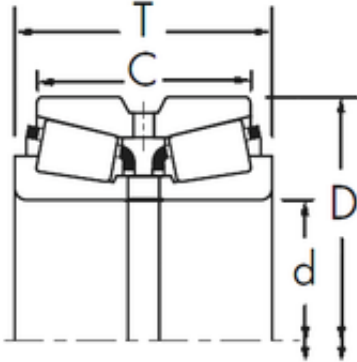


## Timken EE722110/722186CD+X2S-722110 tapered roller bearings

Bearing No. EE722110/722186CD+X2S-722110



EE722110/722186CD+X2S-722110 Bearing 2D drawings and 3D CAD models

Size	279.4x469.9x200.025 mm
Bore Diameter	279,4 mm
Outer Diameter	469,9 mm
Width	200,025 mm
d	279,4 mm
D	469,9 mm
T	200,025 mm
C	149,225 mm
R	9,7 mm
r	1,5 mm