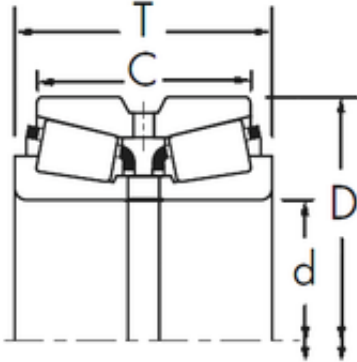


Timken 55206/55444D+X1S-55206 tapered roller bearings

Bearing No. 55206/55444D+X1S-55206



55206/55444D+X1S-55206 Bearing 2D drawings and 3D CAD models

Size	52.388x112.712x65.088 mm
Bore Diameter	52,388 mm
Outer Diameter	112,712 mm
Width	65,088 mm
d	52,388 mm
D	112,712 mm
T	65,088 mm
C	46,038 mm
R	3,5 mm
r	1,5 mm