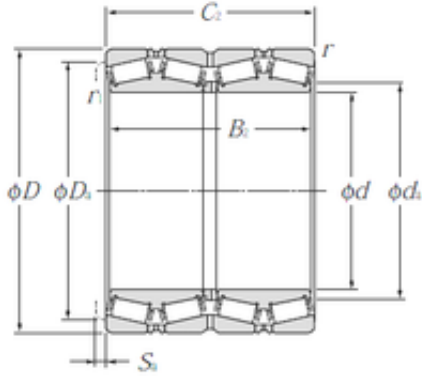


254 mm x 358,775 mm x 269,875 mm NTN T-E-M249748D/M249710/M249710D tapered roller bearings



Bearing No. T-E-M249748D/M249710/M249710D

T-E-M249748D/M249710/M249710D Bearing 2D drawings and 3D CAD models

Size	254x358.775x269.875 mm
Bore Diameter	254 mm
Outer Diameter	358,775 mm
Width	269,875 mm
d	254 mm
D	358,775 mm
B	269,875 mm
C	269,875 mm
r min.	3,3 mm
r1 min.	3,3 mm
Da	335 mm
da	272,5 mm
Sa	5 mm
Weight	85,6 Kg
Basic dynamic load rating (C)	2 390 kN