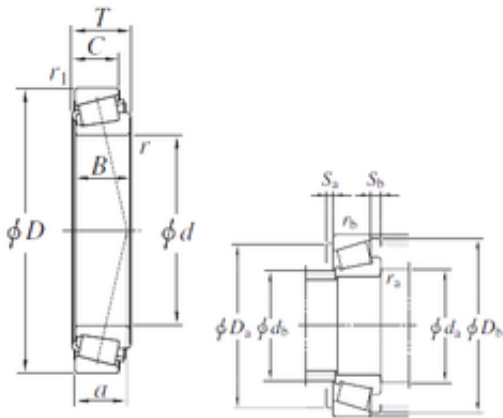


263,525 mm x 325,438 mm x 28,575 mm KOYO
38880/38820 tapered roller bearings



Bearing No. 38880/38820

Size	263.525x325.438x28.575 mm
Bore Diameter	263,525 mm
Outer Diameter	325,438 mm
Width	28,575 mm
d	263,525 mm
D	325,438 mm
T	28,575 mm
B	28,575 mm
C	25,4 mm
a	48,6 mm
r min.	1,6 mm
r1 min.	1,6 mm
da min.	273 mm
Da min	306 mm
Da max.	316 mm
db max.	281 mm
ra max.	1,6 mm
rb max.	1,6 mm
Db	312 mm
Weight	5,08 Kg
Basic dynamic load rating (C)	217 kN
Basic static load rating (C0)	507 kN
Calculation factor (e)	0,37
Calculation factor (Y0)	0,9

38880/38820 Bearing 2D drawings and 3D CAD models



Shandong Jiangshan Industrial Develop...